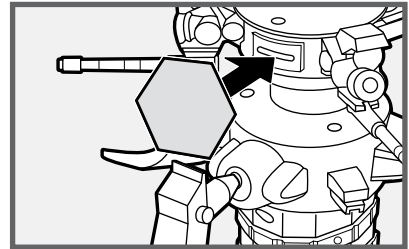


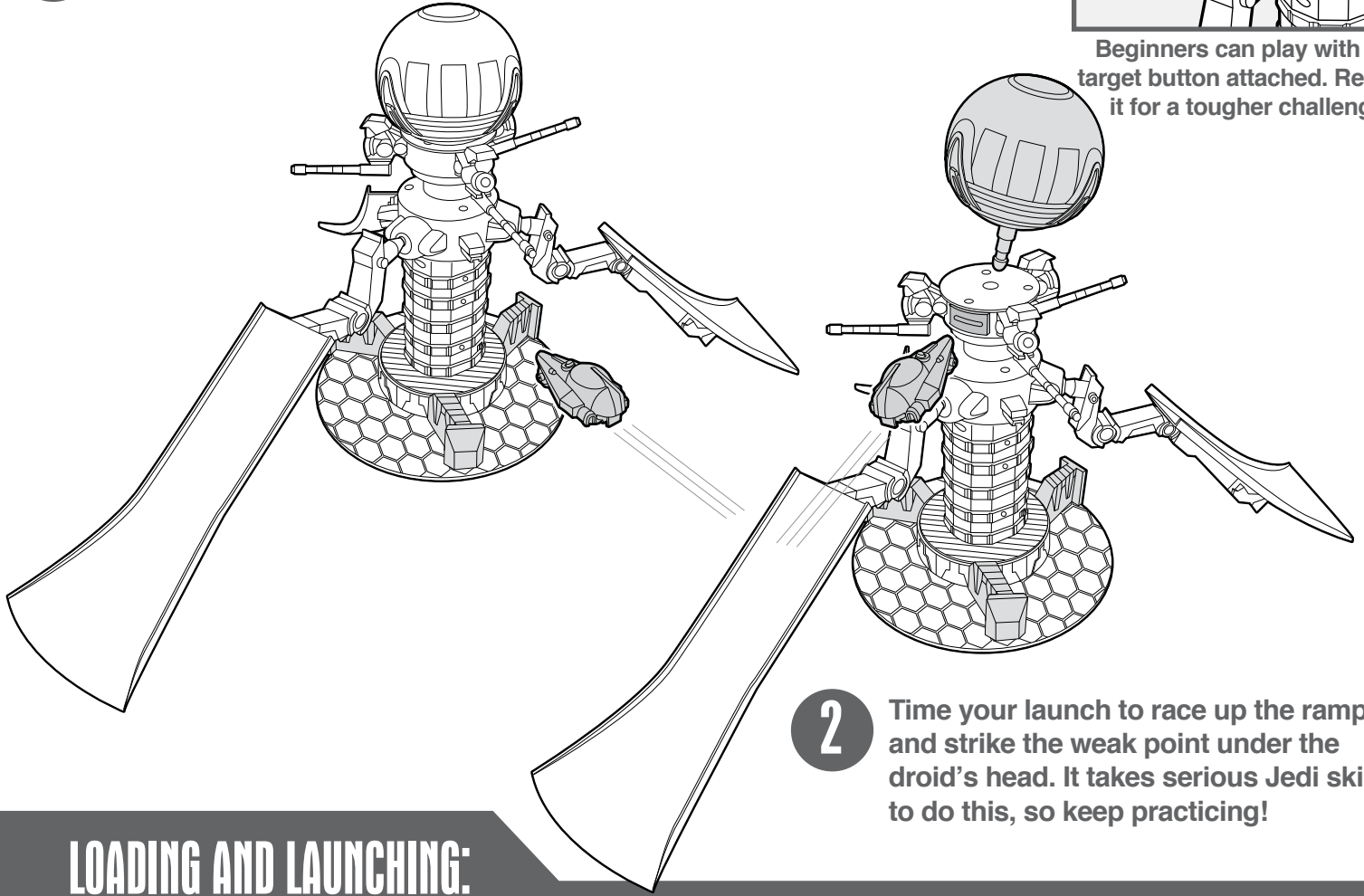
# DEFEATING THE DROID:

There are two ways to defeat the Tri-Droid:

**1** Hit the paddles on the target ring to make it turn several times within a short period to disable the droid.



Beginners can play with this target button attached. Remove it for a tougher challenge!



**2** Time your launch to race up the ramp and strike the weak point under the droid's head. It takes serious Jedi skills to do this, so keep practicing!

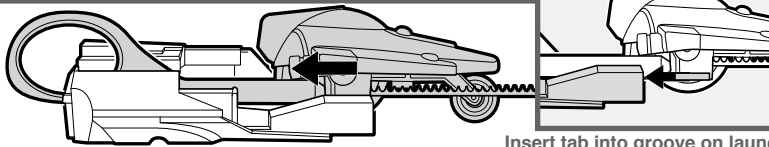
# LOADING AND LAUNCHING:

Vehicles work best on a smooth, flat surface. These vehicles are for use only on the floor.

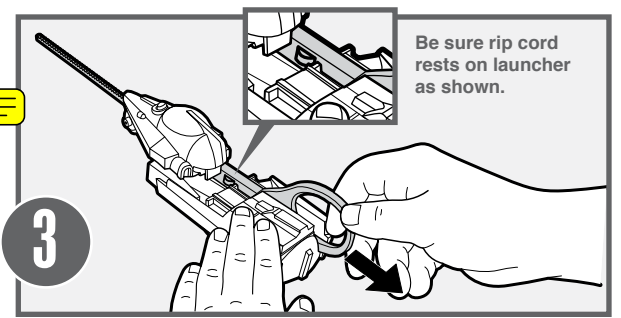
**1**



**2**



Insert tab into groove on launcher.



Be sure rip cord rests on launcher as shown.

**3**

Launcher must be on a flat surface to function.

### FCC STATEMENT

This device complies with part 15 of the FCC Rules. Operation is subject to the following two conditions: (1) This device may not cause harmful interference, and (2) this device must accept any interference received, including interference that may cause undesired operation.

This equipment has been tested and found to comply with the limits for a Class B digital device, pursuant to part 15 of the FCC Rules. These limits are designed to provide reasonable protection against harmful interference in a residential installation. This equipment generates, uses and can radiate radio frequency energy, and, if not installed and used in accordance with the instructions, may cause harmful interference to radio communications. However, there is no guarantee that interference will not occur in a particular installation. If this equipment does cause harmful interference to radio or television reception, which can be determined by turning the equipment off and on, the user is encouraged to try to correct the interference by one or more of the following measures:

- Reorient or relocate the receiving antenna.
- Increase the separation between the equipment and receiver.
- Consult the dealer or an experienced radio/TV technician for help.

CAUTION: Changes or modifications not expressly approved by the party responsible for compliance could void the user's authority to operate the equipment.



NOTE TO UK CONSUMERS This product and its batteries must be disposed of separately at your local waste recycling centre. Do not dispose of in your household waste bin.



© 2010 Lucasfilm Ltd. & © or TM where indicated. All rights reserved. Patent Pending. ® and/or TM\* & © 2010 Hasbro. All Rights Reserved. TM & © denote U.S. Trademarks. PN: 7082440000



Not suitable for children under 3 years because of small parts — choking hazard.



# STAR WARS

AGES 5+

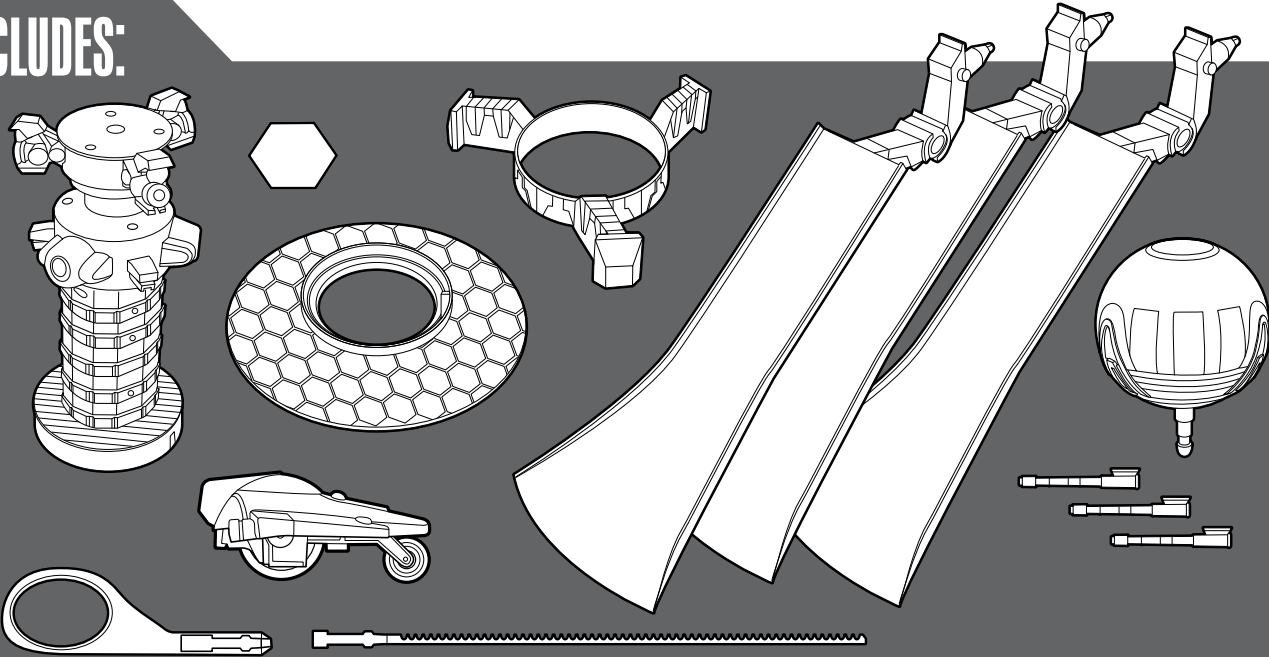
95354

## TRI-DROID ATTACK SET

 x4 ALKALINE BATTERIES  
1.5VAA or LR6 size  
NOT INCLUDED REQUIRED

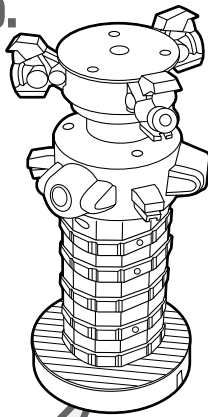
Phillips/cross head screwdriver (not included)  
needed to insert batteries.

### INCLUDES:

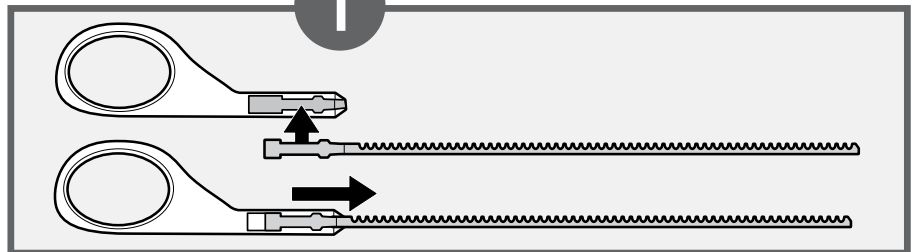


### INSERT BATTERIES:

NOTE: Insert batteries  
before continuing  
assembly.



### ASSEMBLY:



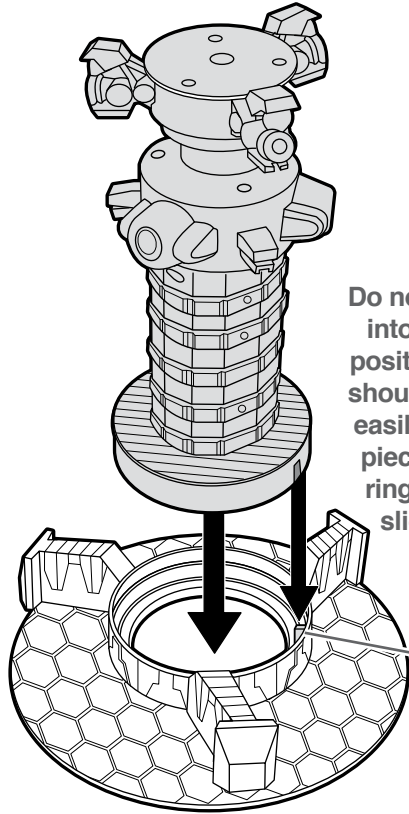
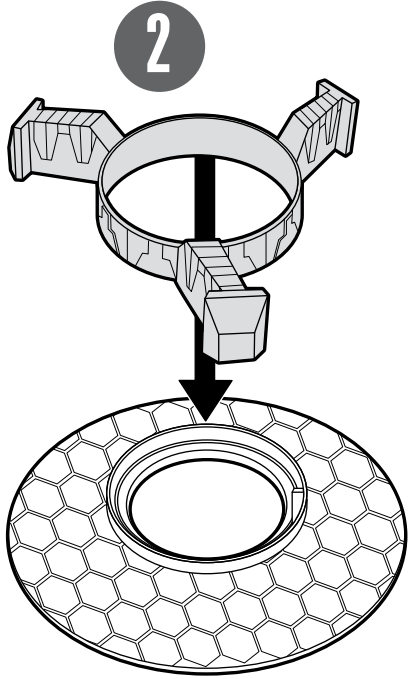
### IMPORTANT: BATTERY INFORMATION

#### ⚠ CAUTION:

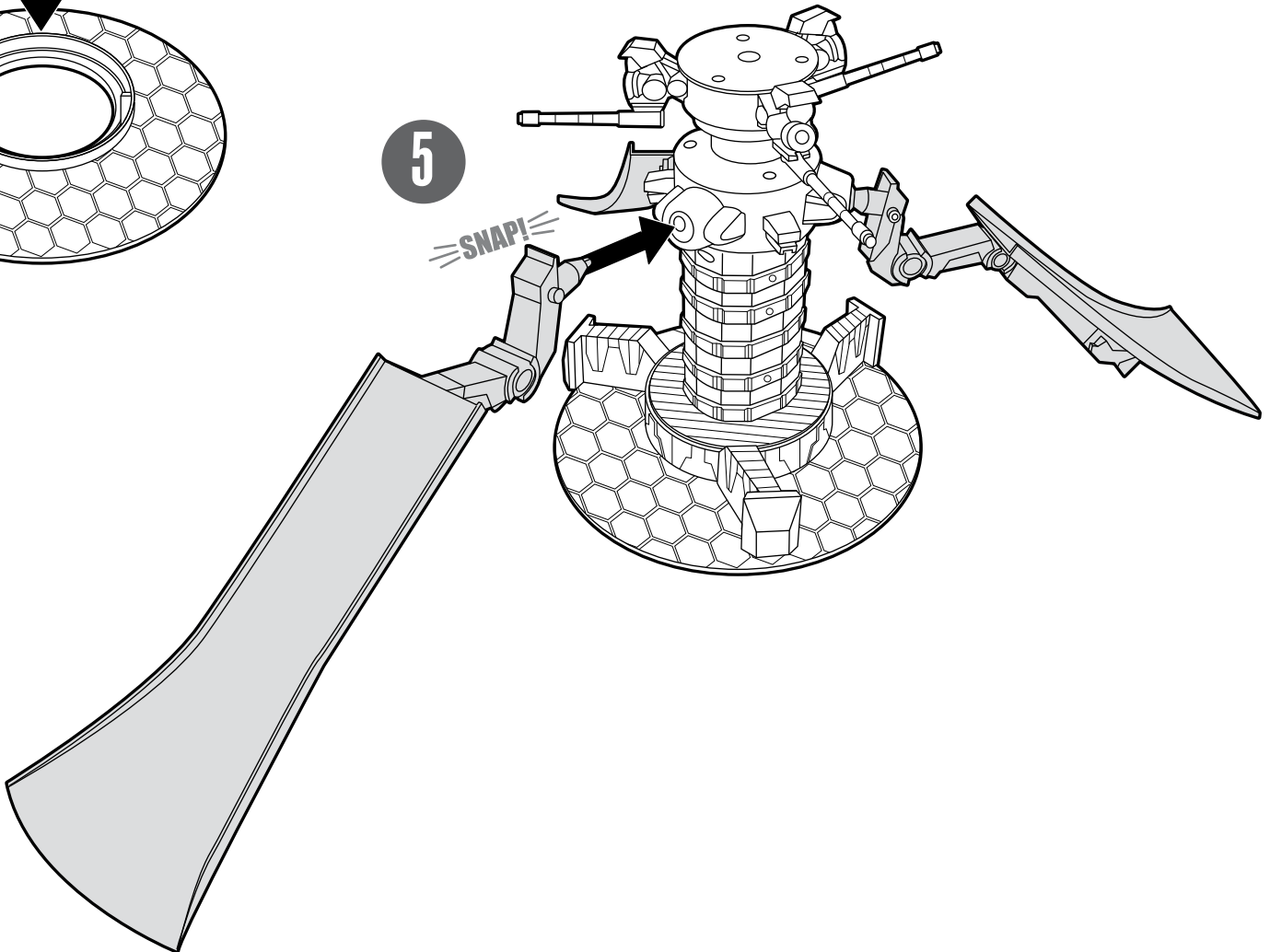
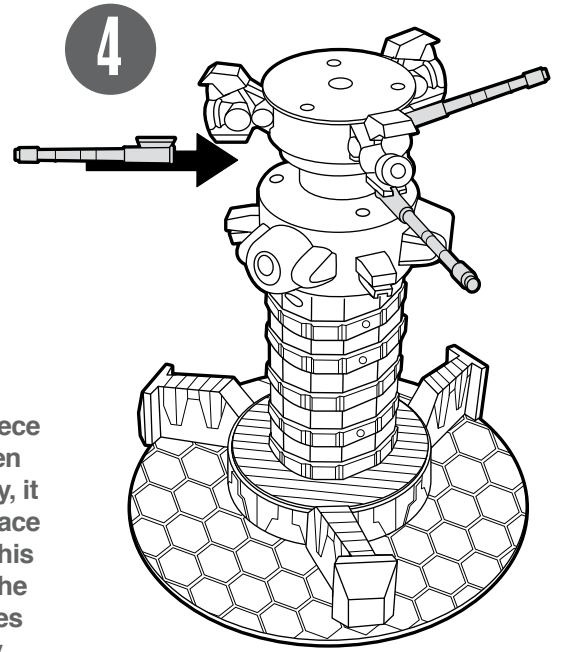
1. Always follow the instructions carefully. Use only batteries specified and be sure to insert them correctly by matching the + and - polarity markings.
2. Do not mix old batteries and new batteries or standard (carbon-zinc) with alkaline batteries.
3. Remove exhausted or dead batteries from the product.
4. Remove batteries if product is not to be played with for a long time.
5. Do not short-circuit the supply terminals.
6. Should this product cause, or be affected by, local electrical interference, move it away from other electrical equipment. Reset (switching off and back on again or removing and re-inserting batteries) if necessary.
7. RECHARGEABLE BATTERIES: Do not mix these with any other types of batteries. Always remove from the product before recharging. Recharge batteries under adult supervision. DO NOT RECHARGE OTHER TYPES OF BATTERIES.

Using a Phillips/cross head screwdriver (not included),  
unscrew battery cover. Insert 4 fresh 1.5 V AA or LR6  
size alkaline batteries. Replace battery cover and  
tighten screw.

# ASSEMBLY:

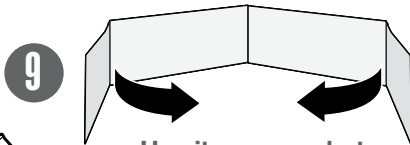


Do not force this piece into position. When positioned correctly, it should slide into place easily. To remove this piece, turn it and the ring until the pieces slide apart easily.



# BACKSTOP:

**7** With an adult's help, carefully cut out this backstop from the package.



Use it as a combat background to catch speeding vehicles while battling the TRI-DROID.

Beginners can play with this target button attached. Remove it for a tougher challenge!

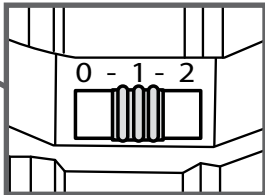
**6**

CLICK!

# READYING YOUR TARGET:

**1** Make sure the droid head is fully pushed into place.

**2** Turn on the droid and select your difficulty level.



**NOTE:** The droid will roar and go through a short start-up sequence before the game begins.